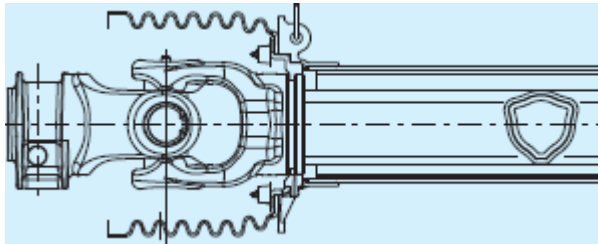
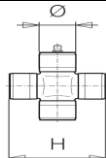
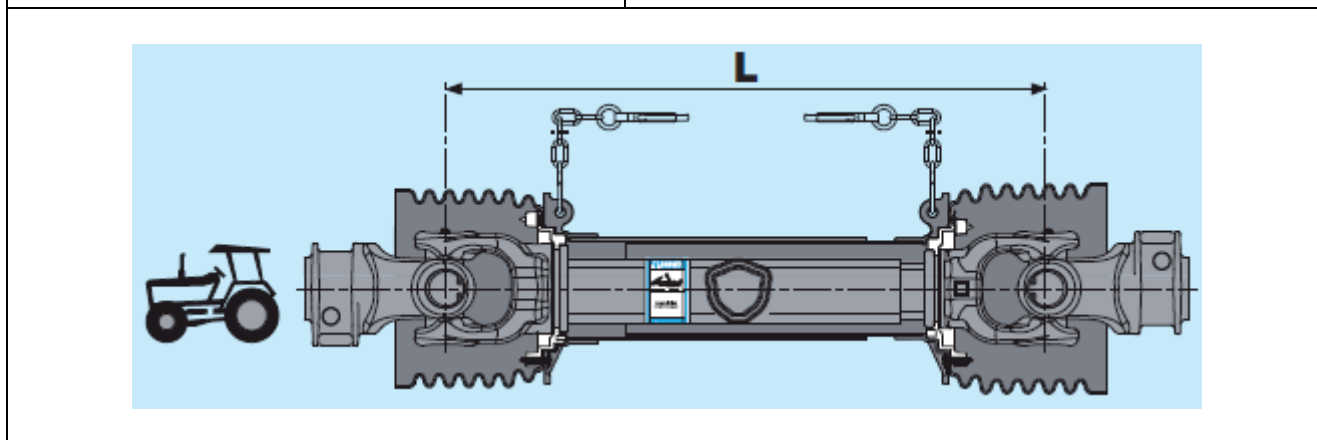



**Serie GLOBAL grupa G2**



540 rot/min		1000 rot/min			
Putere utilizare		Putere utilizare		Ø	H
kW	CP	kW	CP	mm	mm
15	21	23	31	23.8	61.3



Lungime (mm)	<b>BONDIOLI &amp; PAVESI</b> 
510	7G2N051CE007007
610	7G2N061CE007007
710	7G2N071CE007007
860	7G2N086CE007007
1010	7G2N101CE007007
1210	7G2N121CE007007